

Worksheet

Module	Landscape Construction
Subject	Hard Landscape
Topic	Foundations (Part 1)
Lesson	No.
Worksheet	No.
Directions	The answers to these questions are contained in your notes on Foundations Part 1. I recommend that you read the question, find the answer and then write the answer out for each of the following. This will facilitate you to achieve the learning outcomes for the lesson.

1. Describe what a foundation is.

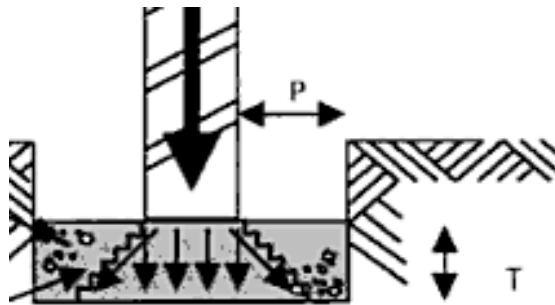
2. List the 5 steps for setting out a foundation.

3. Explain what effect the Bearing capacity of the ground has on the choice of foundation.

Worksheet

4. State the minimum depth a foundation should be below ground level.

5. State the minimum thickness (T) of a foundation and its minimum projection (P) beyond the face of the wall.



Worksheet

Module	Landscape Construction
Subject	Hard Landscape
Topic	Foundations (Part 2)
Lesson	No.
Worksheet	No.
Directions	The answers to these questions are contained in your notes on Foundations Part 2. I recommend that you read the question, find the answer and then write the answer out for each of the following. This will facilitate you to achieve the learning outcomes for the lesson.

1. List the 4 main types of foundation including where and why they are used.

1. _____

2. _____

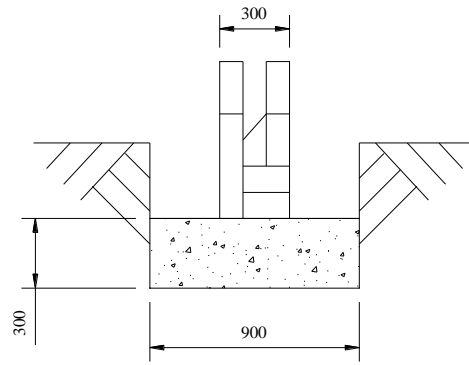
3. _____

4. _____

Worksheet

2. Sketch each type of foundation.

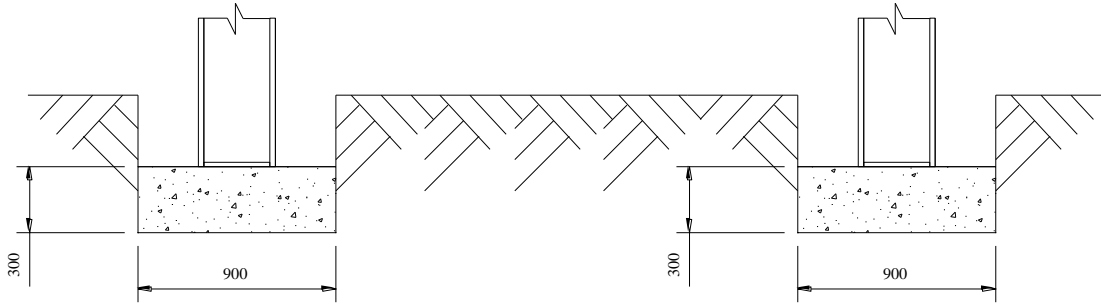
1. Strip Foundation



Section Through a Strip Foundation

Worksheet

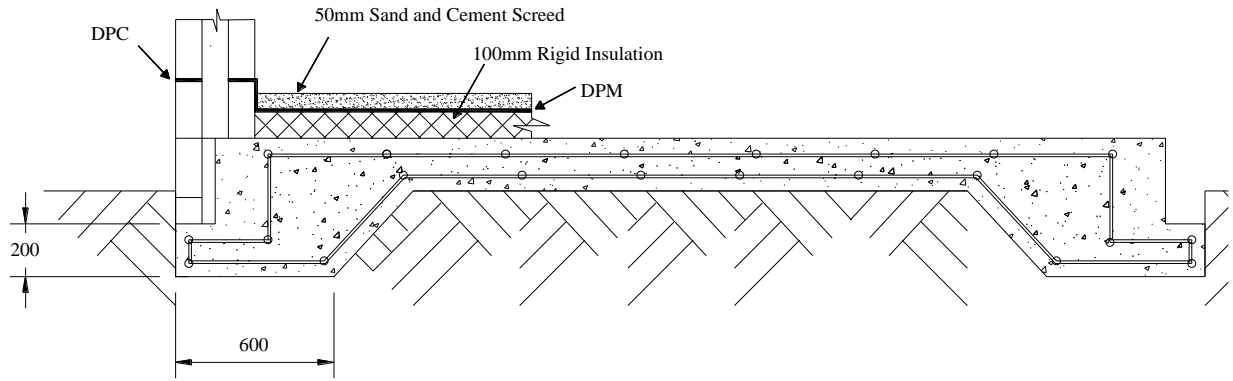
2. Pad Foundation



Section Through a Pad Foundation

Worksheet

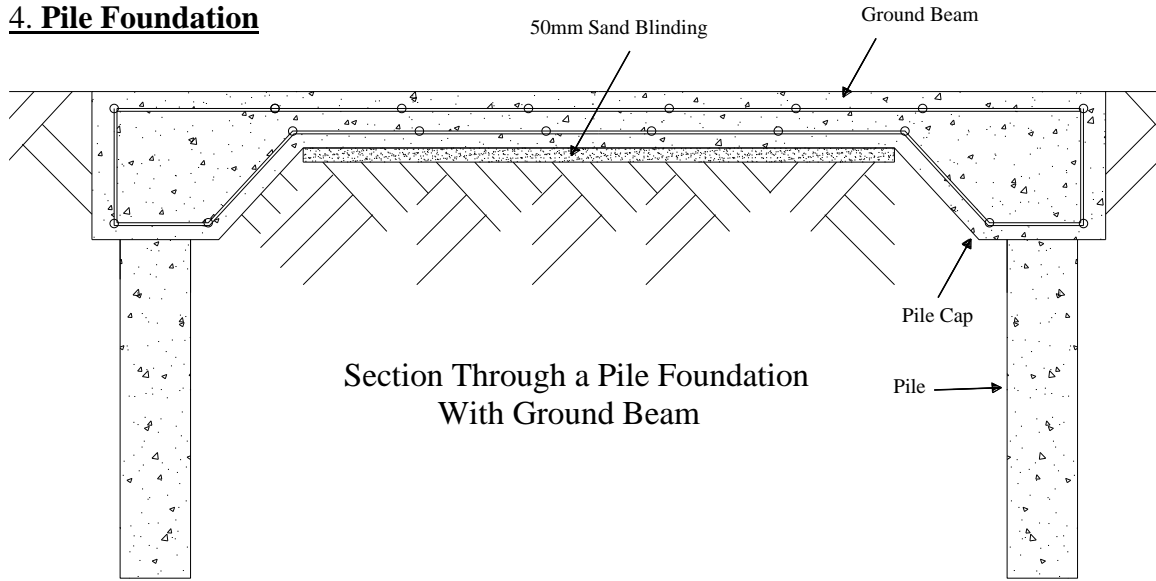
3. Raft Foundation



Section Through a Wide Toe Raft Foundation

Worksheet

4. Pile Foundation



**Section Through a Pile Foundation
With Ground Beam**

Worksheet

Module	Landscape Construction
Subject	Hard Landscape
Topic	Floors
Lesson	No.
Worksheet	No.
Directions	The answers to these questions are contained in your notes on Floors. I recommend that you read the question, find the answer and then write the answer out for each of the following. This will facilitate you to achieve the learning outcomes for the lesson.

1. List and describe 4 types of Ground floor construction.

1 _____

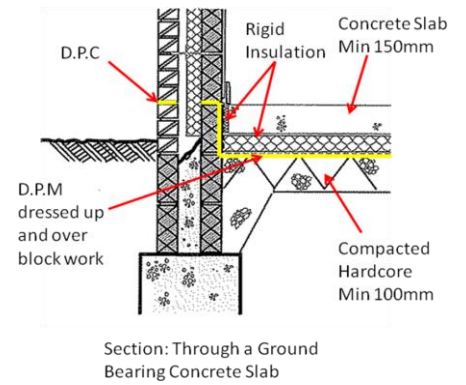
2 _____

3 _____

4 _____

Worksheet

2. Sketch a section through a ground bearing concrete floor slab.



3. Sketch a section through a suspended timber ground floor.

